

Halogen Bulbs

Top Coating The Colour of Top coating



Silver top coating



Blue top coating



Grey top coating



Black top coating



Brown top coating



White top coating



White golden top coating



Blue golden top coating



Yellow top coating



Golden top coating

The colour of Tube Coating



Super White(B2)



Super White(B4)



Super White(B6)



Rainbow blue



Silver blue



White laser



Yellow



Rainbow gold



Orange



Green



Purple



Two Tone
Super White(B4)/blue

H1 Halogen Bulbs for Automotive



FIG	ITEM	SPEC.	Voltage(V)	Wattage(W)	Luminous Flux(Lm)	Average Life(h)	Base
GM19	H1	12V35W	13.2	MAX 40	800±15%	400	P14.5S
	H1	12V55W	13.2	MAX 68	1550±15%	400	P14.5S
	H1	12V55W	13.2	MAX 68	1650±15%	H/Luminous	P14.5S
	H1	12V55W	13.2	MAX 68	1550±15%	Long Life	P14.5S
	H1	12V80W	13.2	MAX 80	1750±15%	250	P14.5S
	H1	12V100W	13.2	MAX 100	2000±15%	200	P14.5S
	H1	24V55W	28.0	MAX 68	1650±15%	300	P14.5S
	H1	24V70W	28.0	MAX 84	1900±15%	400	P14.5S
	H1	24V100W	28.0	MAX 100	2200±15%	200	P14.5S
GM20	H2	12V55W	13.2	MAX 68	1800±15%	300	X511
	H2	12V100W	13.2	MAX 100	2200±15%	200	X511

H3 Halogen Bulbs for Automotive

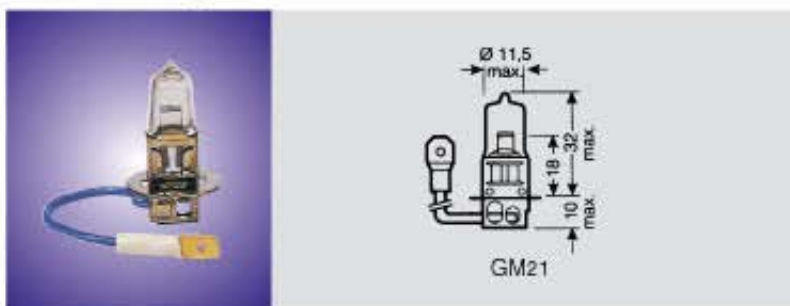


FIG	ITEM	SPEC.	Voltage(V)	Wattage(W)	Luminous Flux(Lm)	Average Life(h)	Base
GM21	H3	12V35W	13.2	MAX 40	700±15%	400	PK22S
	H3	12V55W	13.2	MAX 68	1450±15%	600	PK22S
	H3	12V55W	13.2	MAX 68	1550±15%	H/Luminous	PK22S
	H3	12V55W	13.2	MAX 68	1450±15%	Long Life	PK22S
	H3	12V80W	13.2	MAX 80	1750±15%	300	PK22S
	H3	12V100W	13.2	MAX 100	2000±15%	300	PK22S
	H3	24V55W	28.0	MAX 68	1650±15%	400	PK22S
	H3	24V70W	28.0	MAX 84	1750±15%	400	PK22S
	H3	24V100W	28.0	MAX 100	2200±15%	200	PK22S

H4 Halogen Bulbs for Automotive

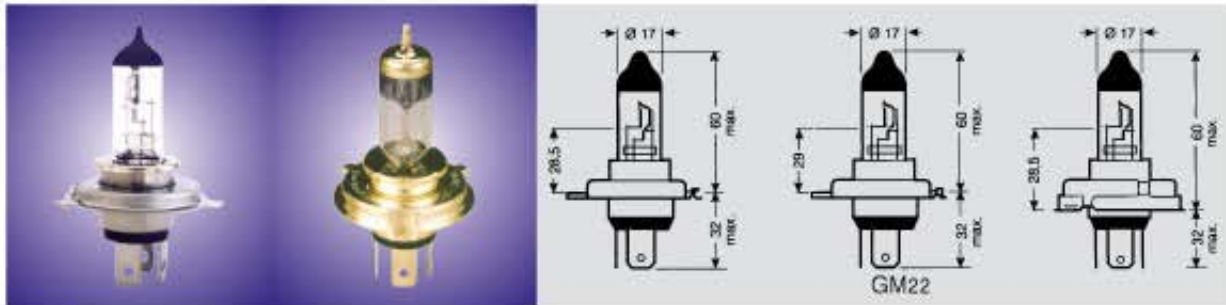


FIG	ITEM	SPEC.	Voltage(V)	Wattage(W)	Luminous Flux(Lm)	Average Life(h)	Base
GM22	H4	12V35/35W	13.2	MAX 40/40	825/525±15%	150/300	P43T
	H4	12V60/55W	13.2	MAX 75/68	1650/1000±15%	150/300	P43T
	H4	12V100/90W	13.2	MAX 100/95	2500/1700±15%	150/300	P43T
	H4	24V75/70W	28.0	MAX 84/80	1900/1200±15%	150/300	P43T
	H4	24V100/90W	28.0	MAX 100/95	2500/1600±15%	150/300	P43T
	H4	12V35/35W	13.2	MAX 40/40	825/525±15%	150/300	P45T
	H4	12V60/55W	13.2	MAX 75/68	1650/1000±15%	150/300	P45T
	H4	12V100/90W	13.2	MAX 100/95	2500/1700±15%	150/300	P45T
	H4	24V75/70W	28.0	MAX 84/80	1900/1200±15%	150/300	P45T
	H4	24V100/90W	28.0	MAX 100/95	2500/1600±15%	150/300	P45T

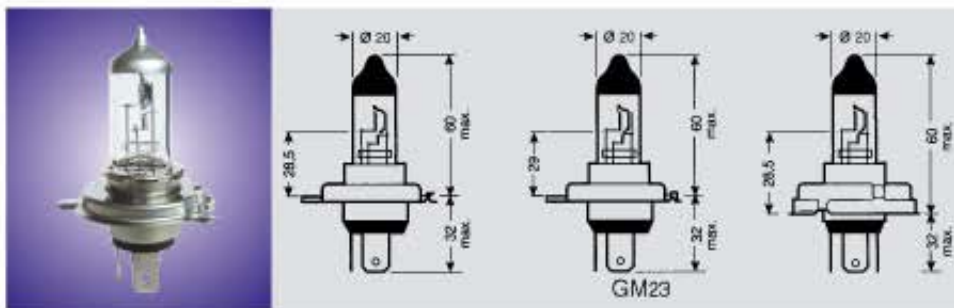


FIG	ITEM	SPEC.	Voltage(V)	Wattage(W)	Luminous Flux(Lm)	Average Life(h)	Remark
GM23	H4	12V60/55W	12V	MAX 75/68	1650/1000±15%	300/600	Long Life
	H4	12V60/60W	12V	MAX 75/75	1650/1200±15%	300/600	Long Life
	H4	12V60/80W	12V	MAX 75/85	1650/1300±15%	300/600	Long Life
	H4	12V100/90W	12V	MAX 100/95	2400/1600±15%	300/600	Long Life
	H4	12V60/55W	12V	MAX 75/68	1850/1200±15%	200/400	+30%
	H4	12V60/60W	12V	MAX 75/75	1850/1300±15%	200/400	+30%
	H4	12V60/80W	12V	MAX 75/85	1850/1500±15%	200/400	+30%
	H4	12V100/90W	12V	MAX 100/95	2600/1800±15%	200/400	+30%

H7 Halogen Bulbs for Automotive



FIG	ITEM	SPEC.	Voltage(V)	Wattage(W)	Luminous Flux(Lm)	Average Life(h)	Base
GM24	H7	12V55W	13.2	MAX 58	1500±10%	500	PX26D
	H7	12V55W	13.2	MAX 58	1500±10%	Long Life	PX26D
	H7	12V55W	13.2	MAX 58	1600±15%	H/Luminous	PX26D
	H7	12V100W	13.2	MAX 90	1900±10%	200	PX26D
	H7	24V70W	28.0	MAX 75	1750±10%	300	PX26D
	H7	24V100W	28.0	MAX 95	2000±10%	200	PX26D

H3C Halogen Bulbs for Automotive

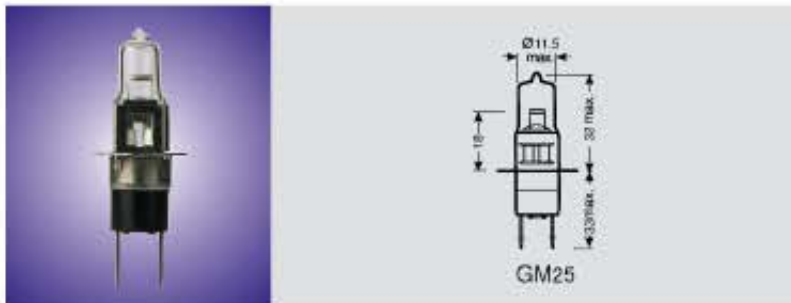


FIG	ITEM	SPEC.	Voltage(V)	Wattage(W)	Luminous Flux(Lm)	Average Life(h)	Base
GM25	H3C	12V35W	13.2	MAX 40	700±15%	300	
	H3C	12V55W	13.2	MAX 68	1450±15%	400	
	H3C	12V80W	13.2	MAX 80	1750±15%	250	
	H3C	12V100W	13.2	MAX 100	2000±15%	200	
	H3C	24V55W	28.0	MAX 68	1650±15%	200	
	H3C	24V70W	28.0	MAX 84	1750±15%	400	
	H3C	24V100W	28.0	MAX 100	2200±15%	200	

9004/9007 Halogen Bulbs for Automotive



FIG	ITEM	SPEC.	Voltage(V)	Wattage(W)	Luminous Flux(Lm)	Average Life(h)	Base
GM26	9004(HB1)	12V65/45W	12.8	MAX 75/50	1200/700±15%	150/320	P29T
	9004(HB1)	12V100/80W	12.8	MAX 100/90	1700/1200±15%	100/200	P29T
	9004(HB1)	12V100/55W	12.8	MAX 100/68	1700/1000±15%	100/300	P29T
GM27	9007(HB5)	12V65/55W	12.8	MAX 70/60	1350/1000±15%	150/320	PX29T
	9007(HB5)	12V100/80W	12.8	MAX 100/90	1700/1200±15%	100/200	PX29T
	9007(HB5)	12V100/55W	12.8	MAX 100/68	1700/1000±15%	100/300	PX29T

9005/9006 Halogen Bulbs for Automotive

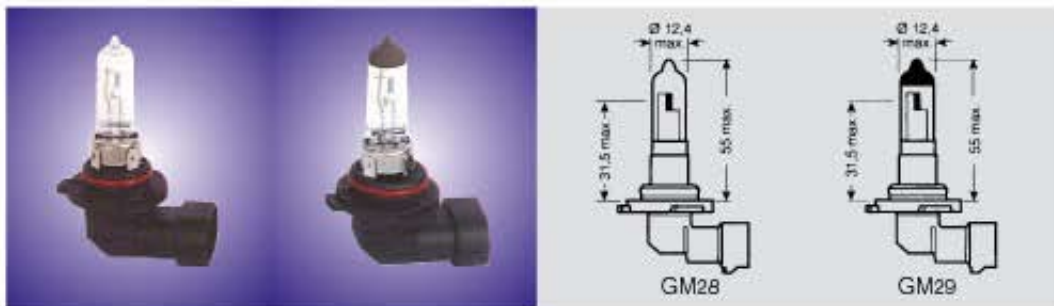


FIG	ITEM	SPEC.	Voltage(V)	Wattage(W)	Luminous Flux(Lm)	Average Life(h)	Base
GM28	9005(HB3)	12V65W	12.8	MAX 70	1700±15%	300	P20D
	9005(HB3)	12V100W	12.8	MAX 110	2000±15%	200	P20D
GM29	9006(HB4)	12V55W	12.8	MAX 62	1075±15%	500	P22D
	9006(HB4)	12V80W	12.8	MAX 80	1300±15%	200	P22D

880 Halogen Bulbs for Automotive



880 Clear

881 Clear

884 Clear

885 Clear

886 Clear

889 Clear

890 Clear



892 Clear

893 Clear

894 Clear

896 Clear

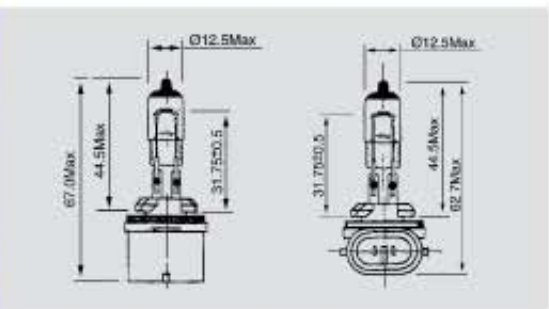


FIG	ITEM	SPEC.	Voltage(V)	Wattage(W)	Luminous Flux(Lm)	Average Life(h)	Base
GM30	880	12V27W	12.8	27±12%	477±15%	500	PG13
GM31	881	12V27W	12.8	27±12%	477±15%	500	PGJ13
GM32	884	12V27W	12.8	27±12%	540±15%	500	PG13
GM33	885	12V50W	12.8	50±12%	1250±15%	500	PG13
GM34	886	12V50W	12.8	50±12%	1250±15%	500	PGJ13
GM35	889	12V27W	12.8	27±12%	540±15%	500	PGJ13
GM36	890	12V27W	12.8	27±12%	540±15%	500	PG13
GM37	892	12V16W	12.8	16±12%	350±15%	500	PG13
GM38	893	12V37.5W	12.8	37.5±12%	940±15%	500	PG13
GM39	894	12V37.5W	12.8	37.5±12%	940±15%	500	PGJ13
GM40	896	12V37.5W	12.8	37.5±12%	940±15%	500	PGJ13

H8/H9/H10/H11/H12/H13 Halogen Bulbs for Automotive



FIG	ITEM	SPEC.	Voltage(V)	Wattage(W)	Luminous Flux(Lm)	Average Life(h)	Base
GM41	H8	12V35W	13.2	MAX 43	800±15%	800	PGJ19-1
GM42	H9	12V65W	13.2	MAX 73	2100±15%	500	PGJ19-5
GM43	H10	12V42W	13.2	MAX 50	850±15%	1500	PY20D
GM44	H11	12V55W	13.2	MAX 62	1350±15%	2000	PGJ19-2
GM45	H11	24V70W	28.0	MAX 80	1600±15%	450	PGJ19-2
GM46	H12	12V/53W	13.2	MAX 61	1050±15%	1700	PZ20D
GM47	H13	12V60/55W	13.2	MAX 75/68	1700/1100±15%	500	PJ26.4T

BASES TO LEC 60061-1

